

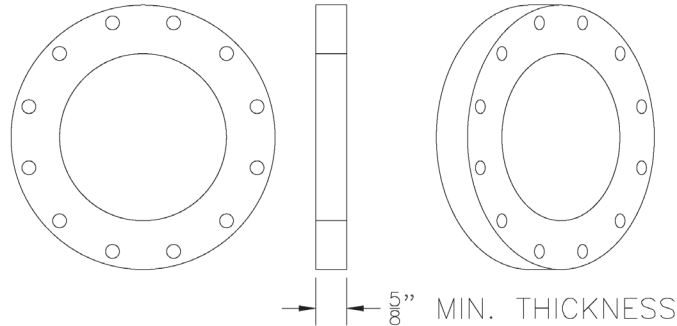


IRON STRONG

DUCTILE IRON PIPE

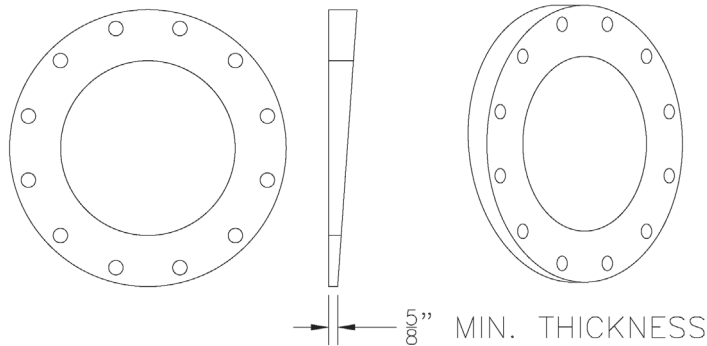
FLANGE FILLER

FABRICATED PRODUCT
3"-36"



FLANGE FILLER

- Flange Fillers are machined to a minimum thickness of 5/8" and maximum thickness of 3"
- Flange Fillers larger than 3" thick will require two fillers.
- Flange Fillers are faced and drilled 125 pound template as standard. A 250 pound template is available upon request.



BEVELED FILLER

- Beveled Fillers are machined to a minimum thickness of 5/8" and a maximum thickness of 6 degrees.



POCKET ENGINEER

Available for iOS + Android
or online at pe.mcwane.com

CONNECT WITH US ON



mcwaneductile.com

NEW JERSEY
183 Sitgreaves St.
Phillipsburg, NJ 08865
908-454-1161

OHIO
2266 S. 6th St.
Coshocton, OH 43812
740-622-6651

UTAH
1401 E. 2000 South
Provo, UT 84606
801-373-6910



canadapipe.com

CANADA
1757 Burlington St. East
Hamilton, ON L8H-3L5
905-547-3251